

Easy as NAS

Introducing HP ProLiant Storage Servers – the single solution for file and print serving, plus application storage



HP has refreshed its portfolio of Network Attached Storage (NAS) solutions under the new name of HP ProLiant Storage Servers. These storage-specific solutions are ideal for dedicated file and print serving, but also provide application data storage, thanks to iSCSI functionality. This new capability provides true storage consolidation, without the need for investment in a full SAN.

As part of the Easy as NAS programme, this poster provides a useful technical overview of the full portfolio of HP ProLiant Storage Servers. It also explains how the different models can be typically configured and deployed in real-life business environments. Plus, it outlines the complementary support offerings from HP Services – which provide a complete end-to-end solution.

HP ProLiant Storage Server family



HP ProLiant Storage Server	ML110 Storage Server			DL100 Storage Server			ML350 G4 Storage Server			ML370 G4 Storage Server			DL380 G4 Storage Server (standalone)			DL380 G4 Storage Server (SAN)	DL580 G2 Storage Server
	320-GB Model	640-GB Model	1-TB Model	320-GB Model	640-GB Model	1-TB Model	Base Model	Internal SCSI Model	Base Model	High Performance Model	Base Model	External SCSI Model	External SATA Model	Gateway Model	Gateway Model		
Part number	367984-421	367985-421	367986-421	367987-821	367988-821	367989-821	375637-421	375638-421	375639-421	375640-421	371224-821	371225-821	371226-821	371227-821	348937-822		
Hardware Features																	
Processor	Intel® Celeron® 2.66GHz	Intel Pentium® 4 2.80GHz	Intel Pentium 4 3.20GHz	Intel Celeron 2.8GHz	Intel Pentium 4 2.80GHz	Intel Pentium 4 3.20GHz	Intel Pentium 4 3.00GHz	Intel Pentium 4 3.20GHz	Intel Pentium 4 3.40GHz	Intel Pentium 4 3.40GHz	Intel Xeon™ 3.06GHz	Intel Xeon 3.06GHz	Intel Xeon 3.06GHz	Intel Xeon 3.20GHz	Intel Xeon 2.80GHz		
No. of CPUs (standard/max)	1/1	1/1	1/1	1/1	1/1	1/1	1/2	1/2	1/2	2/2	1/2	1/2	1/2	1/2	2/4		
Memory (standard/max)	256-MB / 4-GB	512-MB / 4-GB	1-GB / 4-GB	512-MB / 4-GB	512-MB / 4-GB	512-MB / 4-GB	1-GB / 4-GB	1-GB / 4-GB	1-GB / 4-GB	2-GB / 4-GB	1-GB / 4-GB	1-GB / 4-GB	1-GB / 4-GB	2-GB / 8-GB	4-GB / 8-GB		
No. of PCI slots	3	3	3	2	2	2	2	2	2	2	2	2	2	2	2		
No. of PCI slots	2	2	2	2	2	2	2	2	2	2	2	2	2	2	2		
No. of GbE NIC Ports (autosensing)	1	1	1	2	2	2	1	1	1	1	2	2	2	2	2		
iLO support	n/a	n/a	n/a	n/a	n/a	n/a	*	*	*	*	*	*	*	*	*		
TOE card support	*	*	*	*	*	*	*	*	*	*	*	*	*	*	*		
Operating System Features																	
Clustering	n/a	n/a	n/a	n/a	n/a	n/a	n/a	n/a	n/a	n/a	n/a	n/a	n/a	*	*	*	*
Shadow Copy Shared Folders	*	*	*	*	*	*	*	*	*	*	*	*	*	*	*	*	*
Quota Management	*	*	*	*	*	*	*	*	*	*	*	*	*	*	*	*	*
File Service	*	*	*	*	*	*	*	*	*	*	*	*	*	*	*	*	*
Print Service	*	*	*	*	*	*	*	*	*	*	*	*	*	*	*	*	*
File Sharing Protocols (CIFS, NFS, AppleTalk, ...)	*	*	*	*	*	*	*	*	*	*	*	*	*	*	*	*	*
Multipathing (SecurePath)	n/a	n/a	n/a	n/a	n/a	n/a	n/a	n/a	n/a	n/a	n/a	n/a	n/a	*	*	*	*
Client Licensing included	*	*	*	*	*	*	*	*	*	*	*	*	*	*	*	*	*
Web-enabled management	*	*	*	*	*	*	*	*	*	*	*	*	*	*	*	*	*
3rd party agent support	*	*	*	*	*	*	*	*	*	*	*	*	*	*	*	*	*
Software Options																	
Data Protector back-up software solution	*	*	*	*	*	*	*	*	*	*	*	*	*	*	*	*	*
HP OpenView Storage Mirroring	*	*	*	*	*	*	*	*	*	*	*	*	*	*	*	*	*
iSCSI Feature Pack base product	*	*	*	*	*	*	*	*	*	*	*	*	*	*	*	*	*
iSCSI Snapshots	*	*	*	*	*	*	*	*	*	*	*	*	*	*	*	*	*
iSCSI Clustering	n/a	n/a	n/a	n/a	n/a	n/a	n/a	n/a	n/a	n/a	n/a	n/a	n/a	*	*	*	*
iSCSI Direct backup	*	*	*	*	*	*	*	*	*	*	*	*	*	*	*	*	*
Microsoft® Windows® Storage Server® Feature Pack for Exchange	*	*	*	*	*	*	*	*	*	*	*	*	*	*	n/a	n/a	n/a
User Storage																	
Default User Storage (raw)	320-GB	640-GB	1-TB	320-GB	640-GB	1-TB	none	1.2TB (4x300-GB)	none	none	none	1.2TB (4x300-GB)	1-TB (4x250-GB)	none	none	none	none
Max. Internal User Storage (raw)	320-GB	640-GB	1-TB	320-GB	640-GB	1-TB	1.2TB (4x300-GB SCSI)	1.2TB (4x300-GB SCSI)	1.2TB (4x300-GB SCSI)	1.2TB (4x300-GB SCSI)	1.2TB (4x300-GB SCSI)	1.2TB (4x300-GB SCSI)	1.2TB (4x300-GB SCSI)	none	none	none	none
Max. User Storage (raw)	320-GB	640-GB	1-TB	320-GB	640-GB	1-TB	4.8-TB	4.8-TB	10.2-TB	10.2-TB	24.5-TB (iSCSI)/ 36.5-TB (SATA)	24.5-TB (iSCSI)/ 36.5-TB (SATA)	24.5-TB (iSCSI)/ 36.5-TB (SATA)	FC Fabric Limit	FC Fabric Limit		
Direct attached or SAN-attached storage	direct	direct	direct	direct	direct	direct	direct	direct	direct	direct	direct	direct	direct	SAN	SAN		
Disk Technology	SATA	*	*	*	*	*	*	*	*	*	*	*	*	*	*	*	*
Parallel SCSI	n/a	n/a	n/a	n/a	n/a	n/a	n/a	n/a	*	*	*	*	*	*	*	*	*
Fibre Channel/FATA	n/a	n/a	n/a	n/a	n/a	n/a	n/a	n/a	n/a	n/a	n/a	n/a	n/a	*	*	*	*
Misc. Features																	
System Recovery DVD	*	*	*	*	*	*	*	*	*	*	*	*	*	*	*	*	*
Single point of support	*	*	*	*	*	*	*	*	*	*	*	*	*	*	*	*	*
Standard warranty	1/1/1	1/1/1	1/1/1	3/1/1	3/1/1	3/1/1	3/3/3	3/3/3	3/3/3	3/3/3	3/3/3	3/3/3	3/3/3	3/3/3	3/3/3	3/3/3	3/3/3

© Copyright 2004 Hewlett-Packard Development Company, L.P. The information contained herein is subject to change without notice. The only warranties for HP products and services are set forth in the express warranty statements accompanying such products and services. Nothing herein should be construed as constituting an additional warranty. HP shall not be liable for technical or editorial errors or omissions contained herein. Intel, Xeon, Pentium and Celeron are trademarks or registered trademarks of Intel Corporation or its subsidiaries in the United States and other countries. Microsoft, Windows and Windows Server are U.S. registered trademarks of Microsoft Corporation. UNIX is a registered trademark of The Open Group.

59829425EEE November 2004

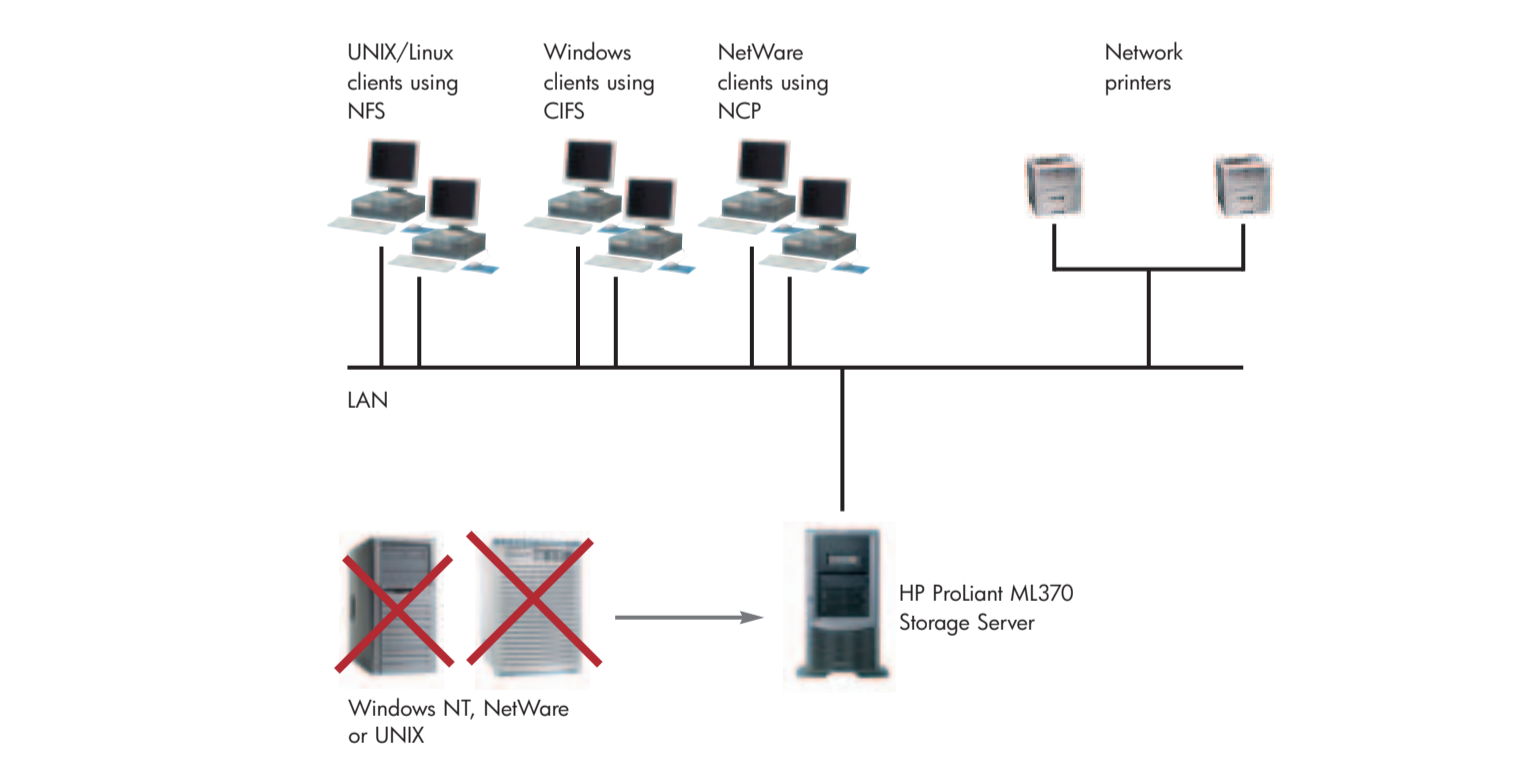
For more information about consolidating storage on HP ProLiant Storage Servers, order or download the Easy as NAS solution guide today at: www.hp.com/eur/easynas



HP ProLiant Storage Servers at work

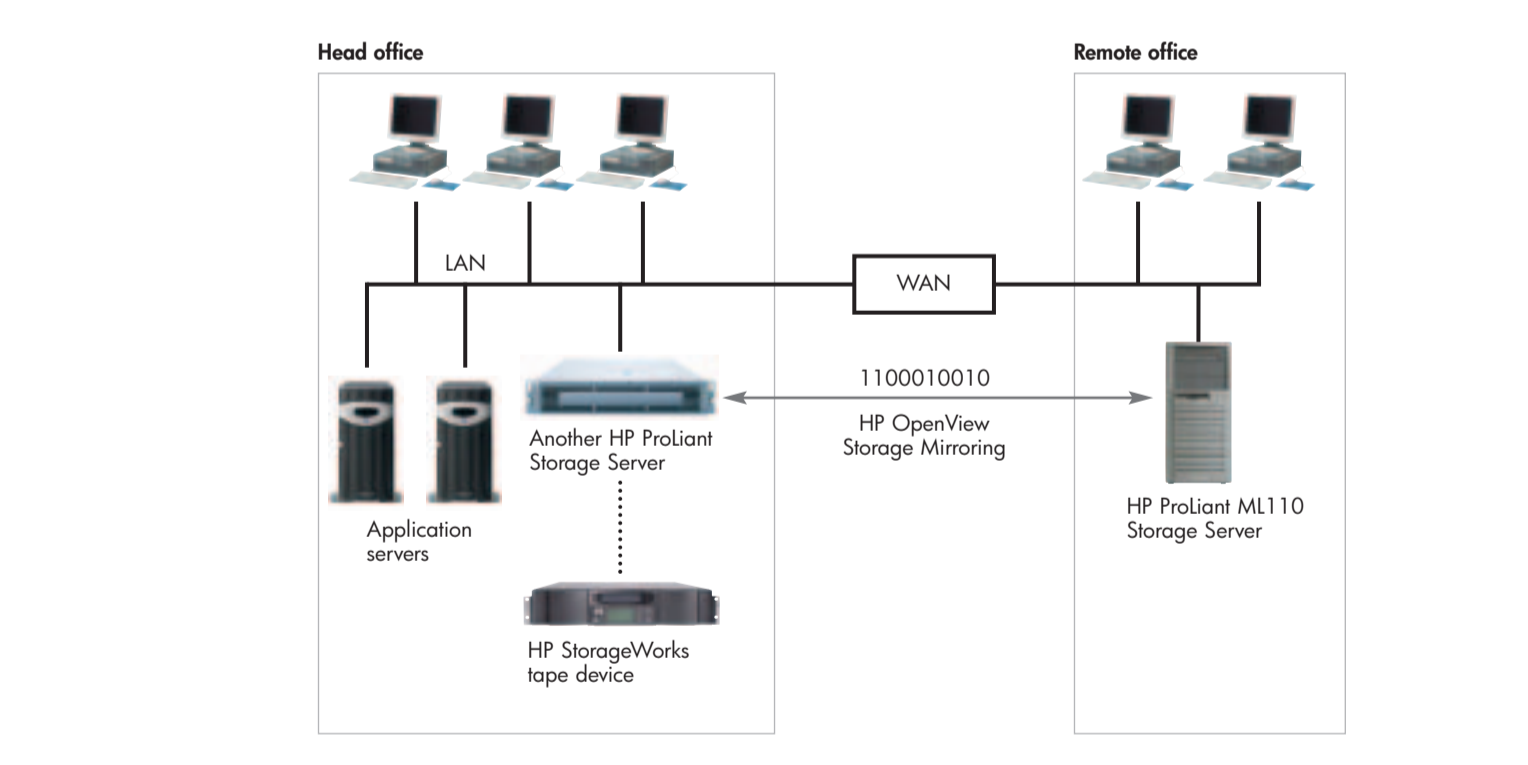
The following examples show how HP NAS solutions based around HP ProLiant Storage Servers can solve specific business challenges:

Migrate and consolidate your file servers to an HP ProLiant Storage Server



- Upgrade from your current file server platform (e.g., Windows NT 4.0) to a next-generation storage server with HP NAS.
- Migrate other file server platforms (e.g., UNIX and NetWare) and consolidate them on HP ProLiant Storage Servers as well.
- HP NAS technology is perfect for serving clients in heterogeneous environments (Windows, UNIX, NetWare, Apple, web staging etc.) from one single platform.
- Migration of clients from one platform to another is simple (see page 9 for details).
- HP ProLiant Storage Servers can also be used as print servers, giving you a true file and print solution.
- Consolidating on HP ProLiant Storage Servers gives you maximum storage performance, combined with light-touch management.

Manage and back up your branch office file servers via remote replication



- Thanks to simple remote manageability, HP ProLiant Storage Servers can easily be used to deploy file serving at remote sites.
- You can replicate data between a central office and branch office locations with HP OpenView Storage Mirroring software, and thereby benefit from both centralised server administration and tape backup.
- File servers at your distributed locations no longer require onsite management and will receive maximum service from your central site.

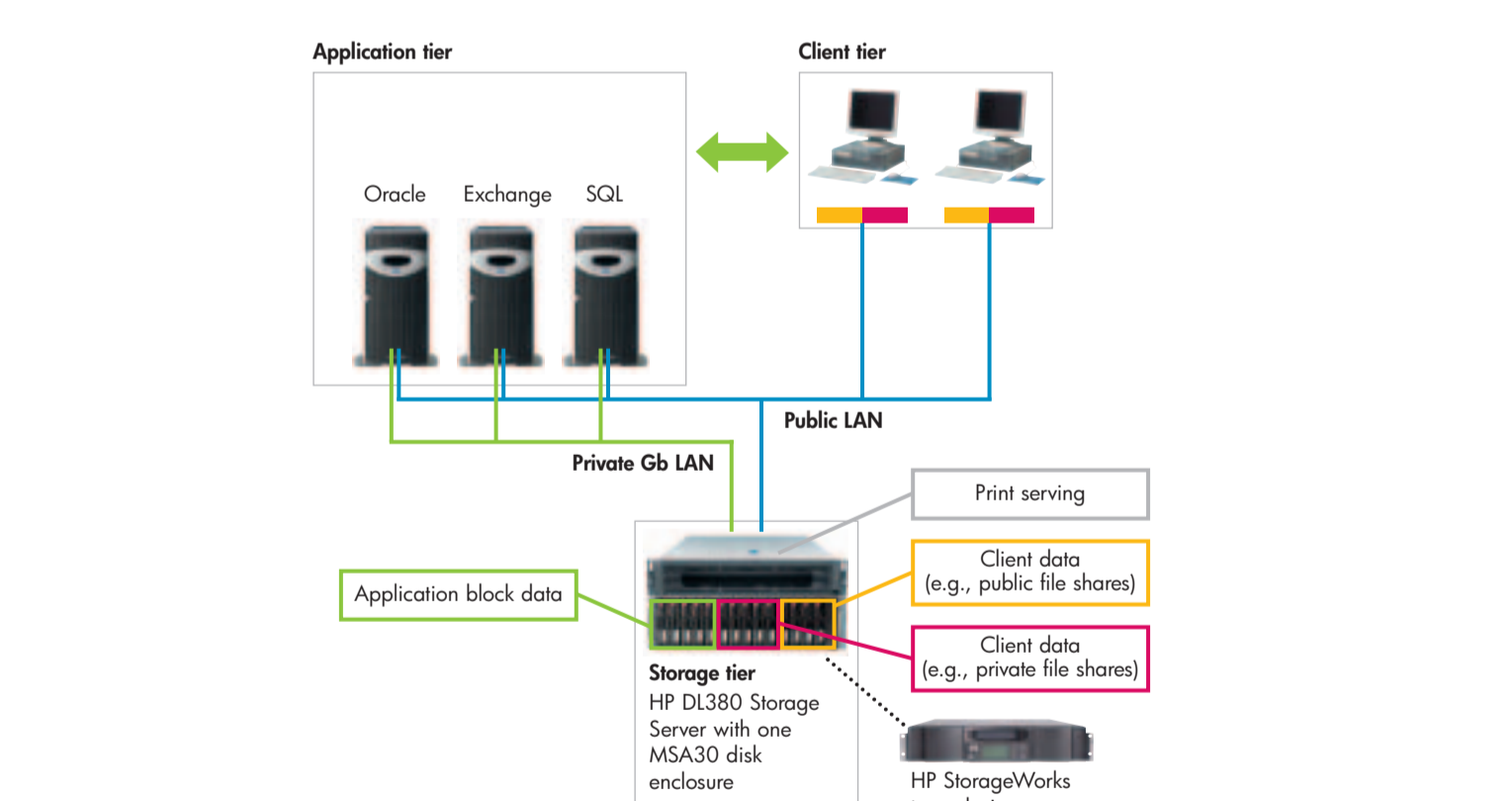
Typical configuration

In this example, we consider a configuration for file and print serving in a remote location based on an HP ProLiant ML110 Storage Server sized for 20 users. The total amount of usable storage required is 500-GB. The data contained in the ML110 is mirrored on the NAS server located at the central site.

Solution components	Part number	Quantity	Additional information/recommendations
HP ProLiant ML110 Storage Server 1-TB model	367985-421	1	Contains 4 x 350-GB drives for 1-TB of total raw SCSI disk storage. In RAID5, the available space is 750-GB.
NC7771 FCIX 10/100/1000T Server Adapter	290563-821	1	For network redundancy.
HP OpenView Storage Mirroring Workgroup NAS Edition (LU 1)	344954-821	2	This software replicates data on the ML110 to the NAS server located in the central data centre. 1 licence to use per server. No tape-based backup solution is needed as the backup is performed by the central NAS server.
HP Care Pack Hardware Installation and Startup	U7986E	1	Required because the remote site has no local IT professional to perform the installation.
HP Care Pack 3-year Support Plus Service for ML110	UB940E	1	Provides the right level of support for a storage mirroring environment.

No additional processors or hard disk drives can be added to this ML110 model. However, further options are available (e.g., UPS).

Unify your application data storage and file serving with the iSCSI Feature Pack



- Use HP ProLiant Storage Servers with the iSCSI Feature Pack for true storage consolidation in small environments.
- Store your application server data on a storage server (which can also be deployed as a file and print server).
- No need to invest in a fibre-channel infrastructure; this storage solution is based on standard server infrastructure technologies.
- Application data and storage data is separated into different tiers to provide optimised performance for each.
- In this scenario, two application servers (that could be clustered) are connected via a private Ethernet network to the storage server, which is also serving files to end-user clients.

Typical configuration

In this example, we consider a configuration based on an HP ProLiant DL380 Storage Server sized for iSCSI-based application serving. Direct attached SCSI is shown here (as opposed to SAN-attached SCSI). The total amount of usable storage required is 3-TB.

Solution components	Part number	Quantity	Additional information/recommendations
HP ProLiant DL380 G4 Storage Server External SCSI model	371225-821	1	Contains 1 processor, 1-GB of memory, 1 MSA30 with 4 x 300-GB SCSI hard disk drives.
Intel Xeon X3.4-GHz/1-MB/800-MHz Processor Option Kit	311583-821	1	Provides a second processor.
1-GB of SDRAM DIMM Memory Kit (2 x 512 MB)	343056-821	1	To reach a total of 4-GB of memory.
2-GB of SDRAM DIMM Memory Kit (2 x 1-GB)	343056-821	1	To reach a total of 4-GB of memory.
Smart Array 640A/256 Controller	273914-821	1	For the external drives.
HP StorageWorks MSA30 SB 14 Drive Enclosure	302969-821	1	A second external disk enclosure – each of which will host 7 drives for better performance and scalability.
300-GB HDD SCSI	350964-822	10	Expands this configuration to 14 hard disk drives in total. RAID5 within each MSA30 provides 6 x 2 x 300-GB for 3.6 TB of capacity.
HP Care Pack for Hardware Installation and Startup	U7986E	0	Not needed for this configuration, as the company has dedicated IT professionals to provide installation.
HP Care Pack 3-year Support Plus 24 Service	UC574E	1	Ensures maximum availability.
HP ProLiant Storage Server iSCSI Feature Pack – Standalone Edition	T3669A	1	For application data storage.
HP ProLiant Storage Server iSCSI Snapshots – Standalone Edition	T3671A	1	For enhanced backup capabilities.

Further options are also available (e.g., UPS).

Note: the HP ProLiant DL380 Storage Server has no internal space left for tape drives, except for a hot-pluggable tape drive space which is too small for 3 TB of storage. Therefore, an external backup and recovery solution should be considered.

Enhance your solution

iSCSI options

HP ProLiant Storage Server iSCSI Feature Pack
This software adds iSCSI target functionality to HP ProLiant Storage Server devices designed for small and medium business environments. The result is an affordable storage platform that delivers file, print and application storage services over existing Ethernet networks. It includes HP Application Storage Manager, which delivers radically simple application storage management for Microsoft Exchange Server 2003.

With the iSCSI Feature Pack, HP ProLiant Storage Servers can host Microsoft Exchange Server (2000/2003) data stores and Microsoft SQL 2003 Server or Oracle 8i, 9i and 10g database stores. An iSCSI initiator has to be installed on each application server accessing the data hosted by the ProLiant Storage Server.

Snapshots for iSCSI Feature Pack
Snapshot functionality safeguards against accidental deletions, file corruptions and virus attacks by creating point-in-time copies of the data on your Storage Server. Delta changes are replicated with 100% integrity, and the resulting space-efficient snapshots can be accessed instantly via the Microsoft Volume Shadow Copy Service (VSS) interface.

Direct Backup for iSCSI Feature Pack
Direct backup functionality allows administrators to perform backups directly from a Storage Server to a

tape drive without involving the application server. This reduces load on the application server and also on network traffic.

Clustering for iSCSI Feature Pack Gateway Edition
Upgrading the iSCSI Feature Pack (Gateway Edition only) with clustering services enhances the availability of your Storage Server. It uses the Microsoft Cluster Services feature to activate two-node iSCSI target capability, and eliminates single points of failure by adding redundant features such as dual network connections and dual I/O channels.

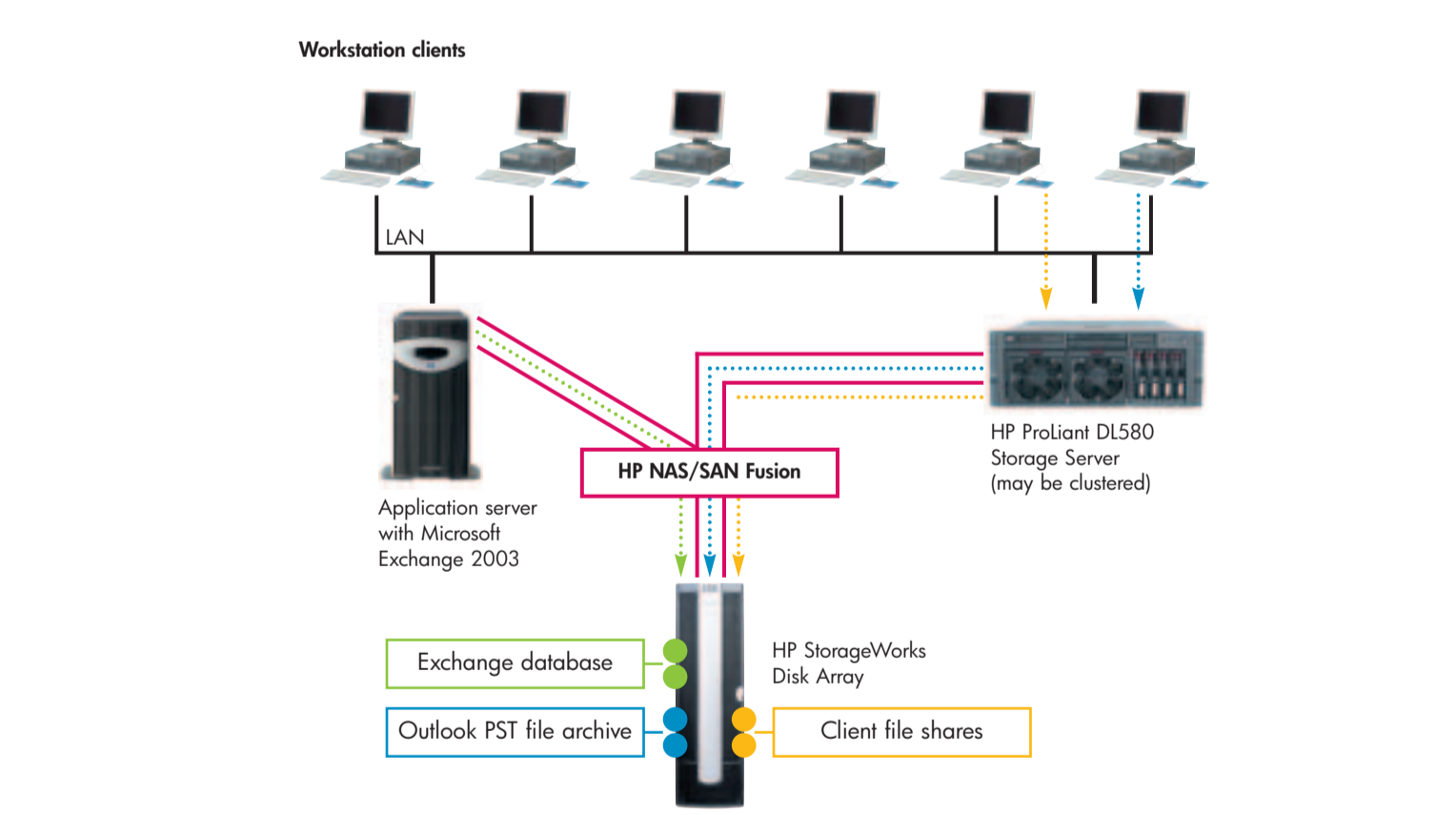
Storage mirroring
HP OpenView Storage Mirroring is a host-based application that performs remote copy over an IP LAN or WAN for near real-time full application or file recovery replication. Perfect for environments that do not have a high-bandwidth Fibre Channel network, or a requirement for high-capacity replication and zero-downtime service levels, Storage Mirroring provides a very cost-effective disaster-recovery alternative. It offers replication from one host to another within a LAN, storage centre or direct attached storage, and between metro offices and regional centres. Key features include asynchronous replication – which can be scheduled to a fine granular level such as the Logical Unit Number (LUN), file or byte level – and multiple replication configuration options, including peer-to-peer and many-to-one.

Name	HP ProLiant Storage Servers							
	HP ProLiant ML110	HP ProLiant DL100	HP ProLiant ML350	HP ProLiant ML370	HP ProLiant DL380 (standalone)	HP ProLiant DL380 (SAN)	HP ProLiant DL580	HP ProLiant DL580
HW Installation	U7986A/E	U7986E	U7986E	U7986E	U7986E	U7986E	U7986E	U7986E
3-year Support Plus Service	UB940A/E	UC555E	UB995E	UC549E	UC573E (Base model: UC561E)	UC561E	UC561E	UC581E
3-year Support Plus 24 Service	UB941A/E	UC556E	UC544E	UC550E	UC574E (Base model: UC562E)	UC562E	UC562E	UC582E

*HW Installation & Startup

To learn more about the full range of HP Services offerings, visit www.hp.com/hps/carepack

Integrate HP ProLiant Storage Servers to your SAN environment with NAS/SAN fusion



- Just as application servers can store their data in a SAN, a storage server can be set up as a gateway for clients to leverage the advantages of a SAN: pooled storage capacity, central management, high availability and integrated backup and recovery procedures.
- This unique fusion eliminates storage islands and reduces overall management complexity and costs.
- The example here shows a Microsoft Exchange server (red line) sharing the same storage source as its clients using its client data share (blue line) or personal drive (yellow line).

Typical configuration

In this example, we consider a NAS/SAN fusion configuration based on a cluster of two HP ProLiant DL580 Storage Server (SAN) models sized for 250 users, together with an HP StorageWorks MSA1500 SAN solution and 4.2 TB of raw storage space.

Solution components	Part number	Quantity	Additional information/recommendations
HP ProLiant DL580 G4 Storage Server SAN model	348937-821	2	Each server contains 2 x 36-GB mirrored OS drives, 2 processors and 4-GB of memory.
2GB PCI-X HBA	A7388A	4	Each server requires 2 host bus adaptors for connection to the SAN switch.
Single slot NIC	313881-821	2	For cluster information.
HP StorageWorks SAN Switch 2/8V	AA597A	2	For higher redundancy.
IC/UC Fibre Channel Cable 5m	221992-822	6	2 cables per server, plus 2 cables from the SAN switch to the MSA1500.
HP StorageWorks MSA1500 Controller Shelf	AA786A	1	
HP StorageWorks MSA30 SB 14 Drive Enclosure	302969-821	1	
300-GB HDD SCSI	350964-822	14	RAID5 provides 6 x 2 x 300-GB for 3.6 TB of capacity.
HP StorageWorks NAS Cluster Kit	331474-821	2	One per server.
HP Care Pack for Hardware Installation and Startup	U9521E	2	One per server.
HP Care Pack 3-year Support Plus Service	UC581E	2	One per server.

Further options are also available (e.g., UPS).



Easy as NAS

The next step in networked storage with
HP ProLiant Storage Servers.



www.hp.com/eur/easyasnas

